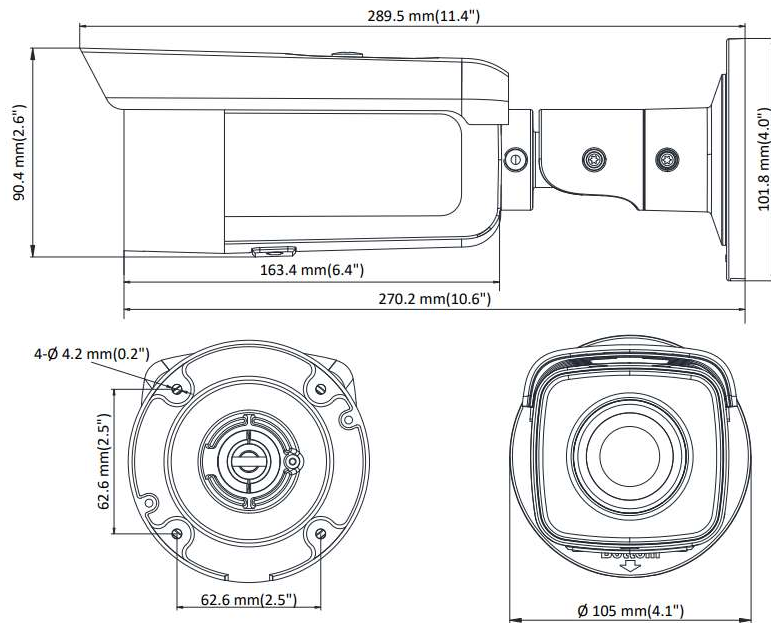


ParkingDetection Camera

PD Camera with integrated IR for monitoring smart parking lots.



Technical specifications

Size	Ø105mm x 289.5mm (without connectors)
Weight	1,10 kg
Housing material	Aluminum
Operating temperature range	-30° - 60°C (-22° - 140°F)
Working humidity	10 - 90% RH (non-condensing)
Storage temperature range	-40° - 85°C (-40° - 185°F)
Storage humidity	10 - 95% RH
Degree of protection	IP67

Electrical

Power supply	12V DC \pm 10% / PoE (802.3af)
Consumption	10W max
Camera design	Bullet
Resolution	2 Megapixel
IR illuminator	50 m
Lens	2,8 mm fixed
Horizontal angle	108°
Min. illumination	Color 0.005Lux@F1.2 B/W: 0.009lux@F1.6
Video compression	H.264, H.265
Sensor size	1/2.8"
Max. frame rate	1080P@30fps
Features	Day/Night (ICR), AWB, AGC, D-WDR, 2D/3D-DNR, IR-CUT, Motion Detection, Privacy Mask, Mirror, Flip
Installation	Wall, mast, public lightning